

# User Manual MINI-ZB2GS (EN)



2-Gang Zigbee Smart Switch

User Manual V1.0

## Introduction

The MINI DUO (Zigbee) is an ultra-compact Zigbee 3.0 dual-channel switch with neutral, designed to fit neatly inside standard wall switch boxes. Supporting a total load of up to 16A, it connects to a Zigbee gateway to transform traditional switches into smart switches. With built-in Zigbee repeater functionality, it enhances Zigbee communication quality and can be linked with other devices in smart scenes to achieve seamless home automation.



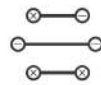
Remote Control



Timer Schedule



Smart Scene



Power-on State



Dual Load Control



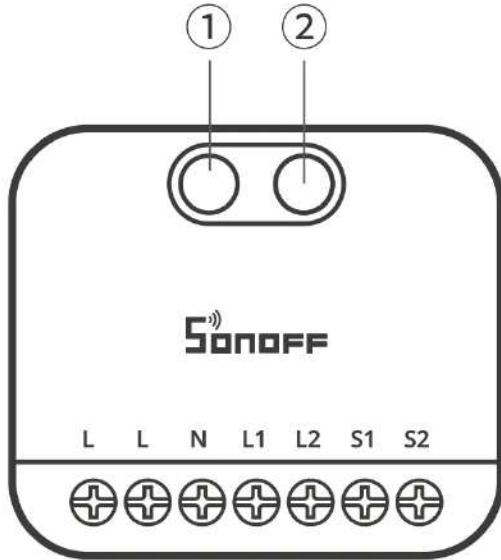
Supports External  
Switch



Relay function



Group Control



### ① Button

- Press and hold for 5 seconds: Device enters the pairing mode. (Pairing time 3 minutes)
- Click three times in succession: Switch external switch type.

### ② LED indicator (Blue)

- Slow flash: Device is in pairing mode.
- Keeps off: Normal connection with the gateway.
- Fast flash: Abnormal connection with the gateway, Pairing failure/Timeout.
- Flashes three times quickly: Switch the external switch trigger type.
- Flashes five times quickly: Trigger Factory Reset

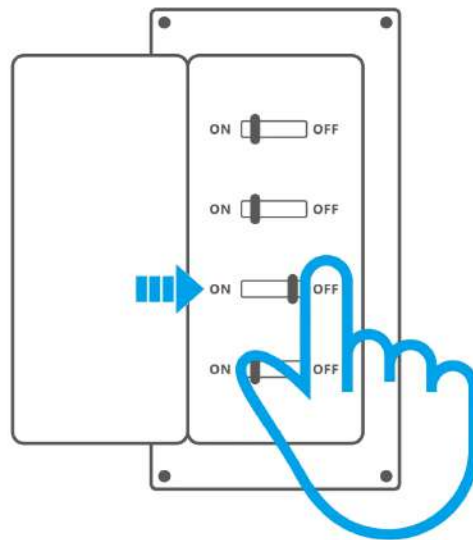
## Specification

|                |   |
|----------------|---|
| Product name   | MINI DUO  |
| Product series | MINI Extreme series   |
| Product type   | 2-Gang Zigbee Smart Switch                                      |
| Model          | MINI-ZB2GS  |
| MCU            | EFR32MG21   |
| Rating         | 110-240V~ 50/60Hz 10A/gang, Total 16A MAX Resistive load ⚙<br>μ |

|                                |  |
|--------------------------------|--|
| Zigbee                         | IEEE 802.15.4                                |
| Net weight                     | 36.2g  |
| Product dimension              | 45x39.4x16.8mm                               |
| Color                          | White  |
| Casing material                | PC   |
| Diameter of wiring (recommend) | 16AWG to 14AWG SOL/STR copper conductor only |
| Applicable place               | Indoor                                       |
| Working temperature            | -10°C~40°C                                   |
| Working humidity               | 5-95%RH, non-condensing                      |
| Certification                  | CE/FCC/RoHS                                  |

## Installation

### 1. Power off



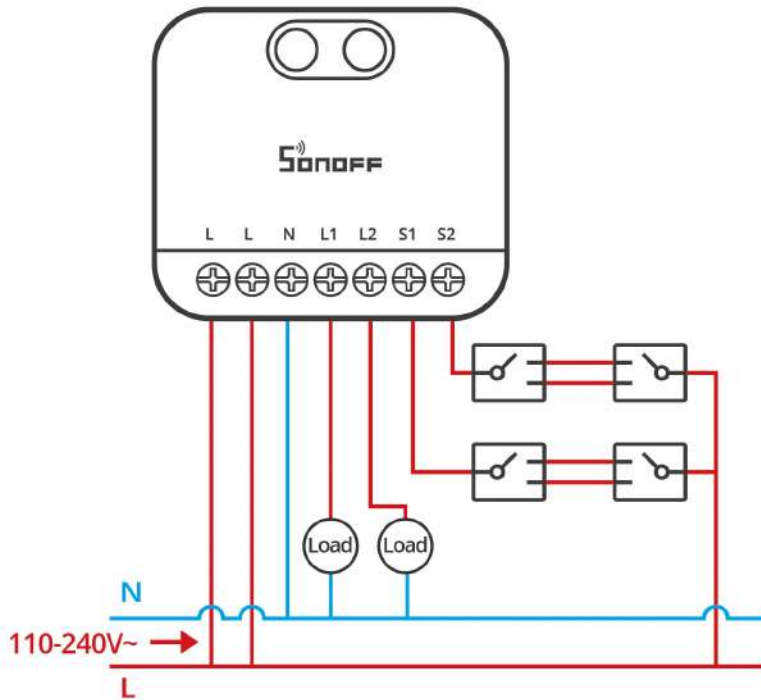
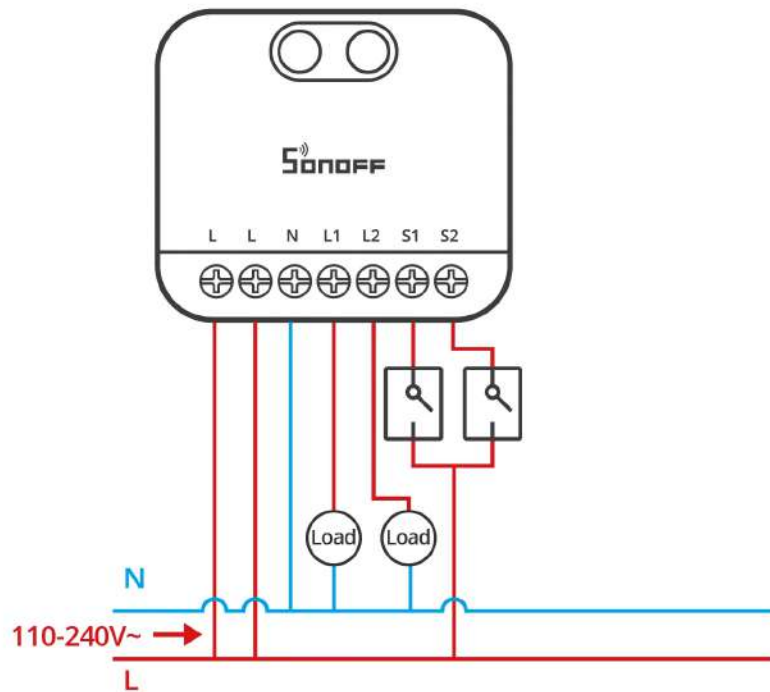
Please install and maintain the device by a professional electrician. To avoid electric shock hazards, do not operate any connection or contact the terminal connector while the device is powered on!

## 2. Wiring instruction

⚠ To ensure the safety of your electrical installation, it's essential that either a Miniature Circuit Breaker (MCB) or a Residual Current operated Circuit-breaker with Integral Overcurrent protection (RCBO) with an electrical rating of 16A has been installed before the MINI-ZB2GS.

⚠ For single-phase use only (110–240V~). Connecting to multiple phases may result in damage to the device.

⚠ Make sure all wires are connected correctly.



⚠ It is prohibited to connect S1 and S2 terminals to the neutral or ground wire, in order to avoid damaging the equipment and causing danger.

⚠ Supported switches include rocker switches and push buttons, and factory default is the rocker switch. **Method of changing the switch type:** short press the button 3 times

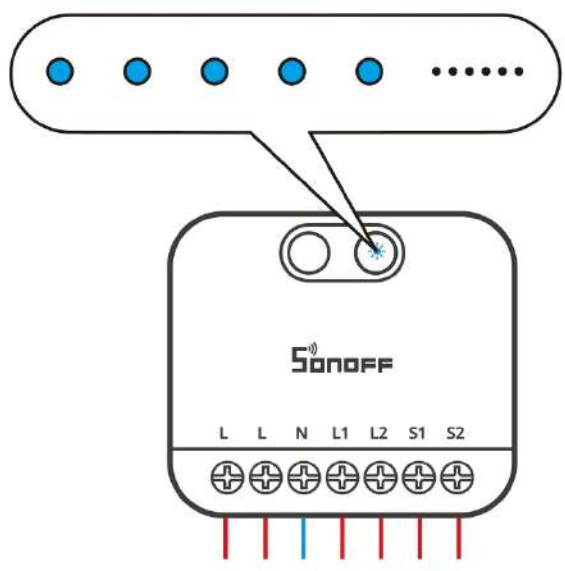
until the LED signal indicator flashes 3 times quickly, now you change the switch type successfully.

### Instructions for wiring symbols

| Terminals |                                    | Wires |                       |
|-----------|------------------------------------|-------|-----------------------|
| L         | Live Terminal                      | L     | Live Line (110–240V~) |
| N         | Neutral Terminal                   | N     | Neutral Line          |
| L1        | Live Output Terminal_1 (110–240V~) |       |                       |
| L2        | Live Output Terminal_2 (110–240V~) |       |                       |
| S1        | Switch_1                           |       |                       |
| S2        | Switch_2                           |       |                       |

### 3. Power on

After powering on, the device will enter the pairing mode by default during the first use, and the LED signal indicator will "flash slowly".



⚠ The device will exit the pairing mode if you do not operate it within 3mins. When you want to enter the pairing mode again, long press button on the device for 5 seconds until the signal light “flashes slowly” and release.

## Add device

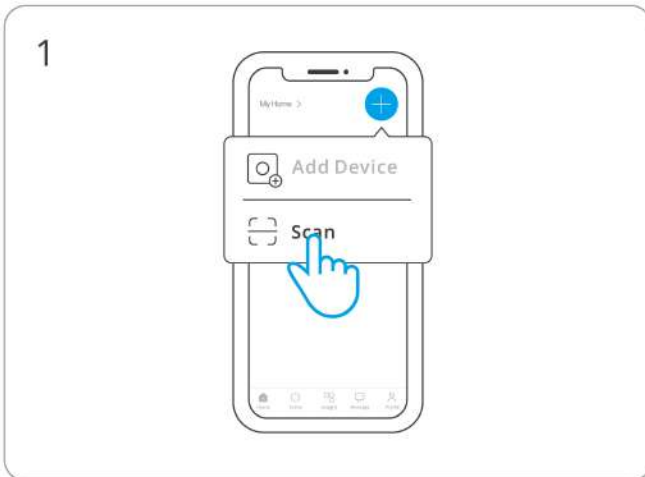
### 1. Download the eWeLink App

Please download the "eWeLink" App from [Google Play Store](#) or [Apple App Store](#).

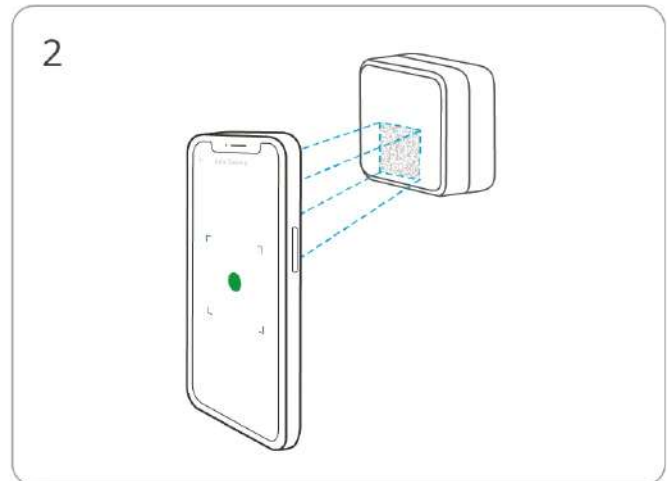


### 2. Add SONOFF Zigbee gateway

### 3. Network configuration



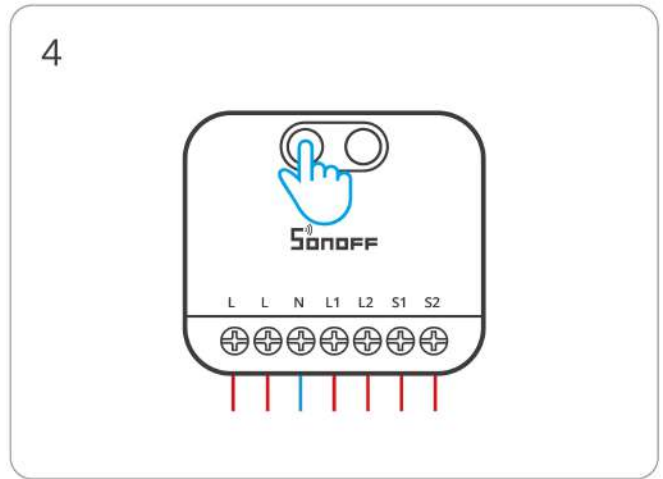
Enter "Scan"



Scan the QR code on the device

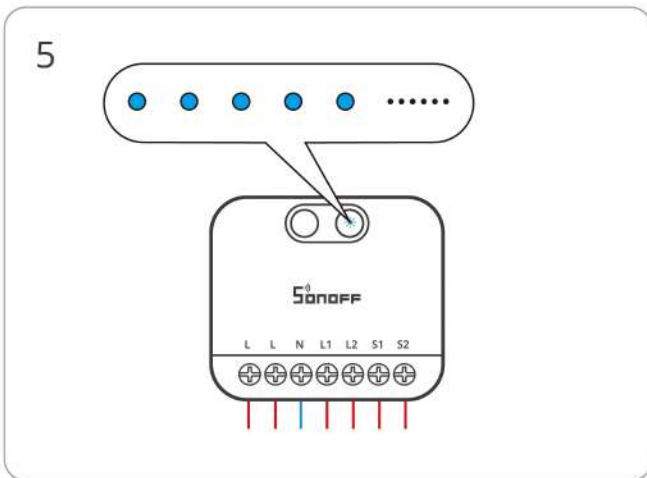


Select "Add Device"

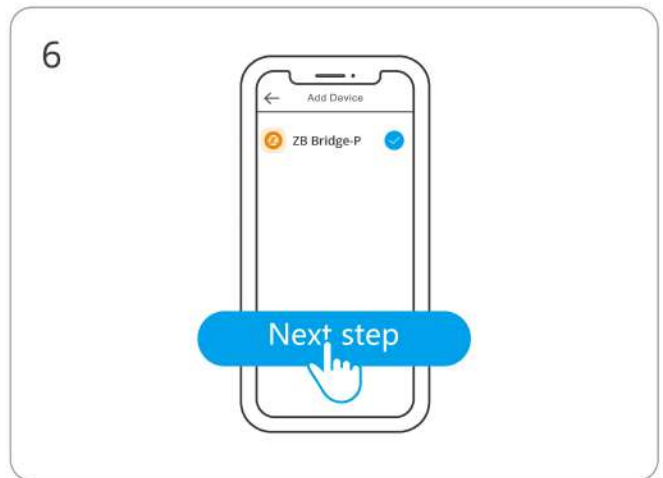


(If the device exits pairing mode)

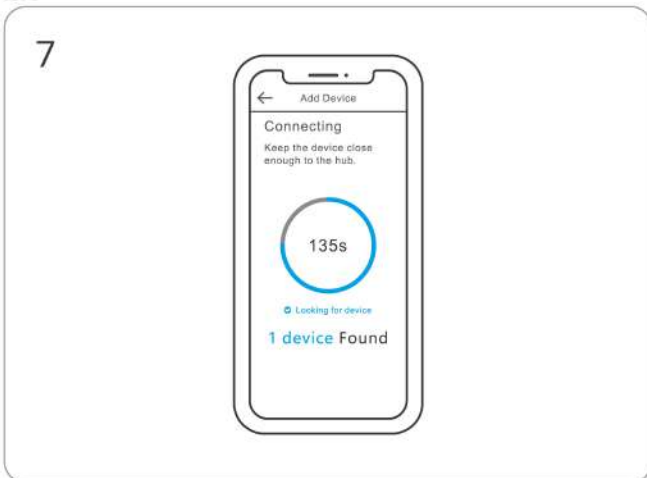
Long press the button for 5 seconds



Check LED indicator flashing status (Slow flash)



Select Zigbee gateway



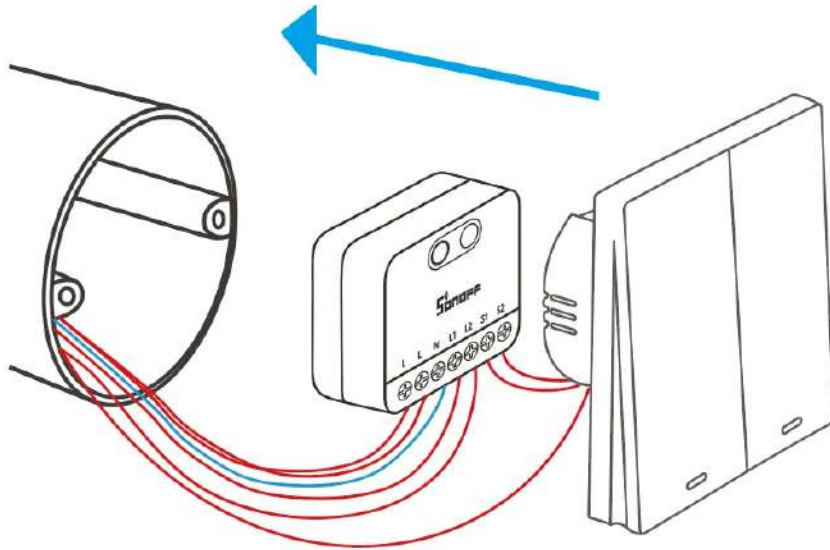
Wait until the addition is done.

## Compatible SONOFF Gateways

Recommended SONOFF gateway models: ZBBridge-P, ZBBridge-U, NSPanel Pro, iHost.

Other compatible SONOFF gateway models: ZBDongle-P, ZBDongle-E.

## Install the device in the mounting box



## Factory Reset

Trigger conditions (any one condition met)

- Press and hold the device button for 10 seconds.
- Delete the device on the App.

## FCC compliance statement

Responsible Party Name: SONOFF TECHNOLOGY LLC

Address: 14777 NE 40th St, Suite 201 Bellevue, WA 98007

Email Address: usres@itead.cc    FCC ID: 2APN5-MINIZB2GS

1. This device complies with part 15 of the FCC Rules. Operation is subject to the following two conditions:

(1) This device may not cause harmful interference, and

(2) This device must accept any interference received, including interference that may cause undesired operation.

2. Changes or modifications not expressly approved by the party responsible for compliance could void the user's authority to operate the equipment.

Note: This equipment has been tested and found to comply with the limits for a Class B digital device, pursuant to part 15 of the FCC Rules. These limits are designed to provide reasonable protection against harmful interference in a residential installation. This equipment generates, uses and can radiate radio frequency energy and, if not installed and used in accordance with the instructions, may cause harmful interference to radio communications. However, there is no guarantee that interference will not occur in a particular installation. If this equipment does cause harmful interference to radio or television reception, which can be determined by turning the equipment off and on, the user is encouraged to try to correct the interference by one or more of the following measures:

—Reorient or relocate the receiving antenna.

—Increase the separation between the equipment and receiver.

—Connect the equipment into an outlet on a circuit different from that to which the receiver is connected.

—Consult the dealer or an experienced radio/TV technician for help.

FCC Radiation Exposure statement:

This equipment complies with FCC radiation exposure limits set forth for an uncontrolled environment.

This equipment should be installed and operated with a minimum distance of 20 cm between the radiator and your body.

This transmitter must not be co-located or operating in conjunction with any other antenna or transmitter.

## EU Declaration of Conformity

Hereby, Shenzhen Sonoff Technologies Co., Ltd. declares that the radio equipment type MINI-ZB2GS is in compliance with Directive 2014/53/EU. The full text of the EU declaration of conformity is available at the following internet address:  
<https://sonoff.tech/compliance/>

## For CE Frequency

### EU Operating Frequency Range:

Zigbee: 2405–2480 MHz

BLE: 2402–2480 MHz

### EU Output Power:

Zigbee≤10dBm

BLE≤10dBm

Under normal use of condition, this equipment should be kept a separation distance of at least 20 cm between the antenna and the body of the user.

## WEEE Disposal and Recycling Information



WEEE Disposal and Recycling Information All products bearing this symbol are waste electrical and electronic equipment (WEEE as in directive 2012/19/EU) which should not be mixed with unsorted household waste. Instead, you should protect human health and the environment by handing over your waste equipment to a designated collection point for the recycling of waste electrical and electronic equipment, appointed by the government or local authorities. Correct disposal and recycling will help prevent potential negative consequences to the environment and human health. Please contact the installer or local authorities for more information about the location as well as terms and conditions of such collection points.

|                        |         |
|------------------------|---------|
| Scatola                | Manuale |
| PAP 21                 | PAP 22  |
| Carta                  | Carta   |
| RACCOLTA DIFFERENZIATA |         |

Verifica le disposizioni del tuo Comune.

Separa le componenti e conferiscile in modo corretto.

# SONOFF

Manufacturer: Shenzhen Sonoff Technologies Co., Ltd.

Address: 3F & 6F, Bldg A, No. 663, Bulong Rd, Shenzhen, Guangdong, 518000, China

Service email: support@itead.cc      Website: sonoff.tech

Made in China



FR

**Cet appareil  
se recycle**

À DÉPOSER  
EN MAGASIN



OU

À DÉPOSER  
EN DÉCHÈTERIE



Points de collecte sur [www.quefairedemesdechets.fr](http://www.quefairedemesdechets.fr)  
Privilégiez la réparation ou le don de votre appareil !

