

User Manual M5-80 Matter (EN)



Matter Over WiFi Smart Wall Switch

User Manual V1.0

Introduction

This is a Matter over Wi-Fi smart wall mechanical switch. It not only enables remote control of the device on/off and scheduled on/off settings via APP, but also supports smart linkage with smart devices from other brands to build your home automation system.



Matter Compatibility



Smart Schedule



Smart Scene



Detach Relay Mode



Inching Mode



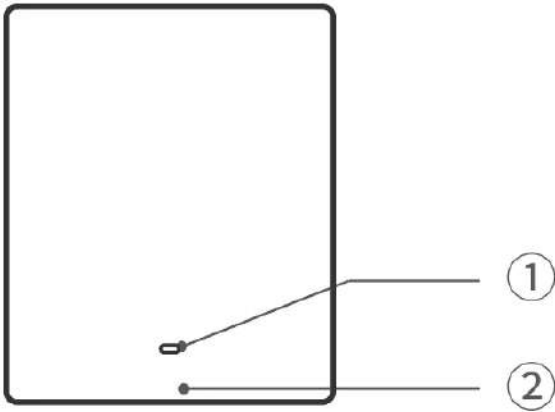
Voice Control



Group Control



LAN Control



① LED indicator (Blue)

eWeLink Ecosystem:

- Flashes two short and one long: Device is in pairing mode.
- Keeps on: Online.
- Slow flash once: Offline.
- Flashes twice: LAN.

Matter Ecosystem:

- Flashes two short and one long: Device is in pairing mode.
- Keeps on: Online.
- Slow flash once: Offline.

② Button




- Single press: Turn on/off the smart device.
- Press and hold for 5 seconds: Device enters the pairing mode. (Pairing time 10 minutes)

Platform Certification



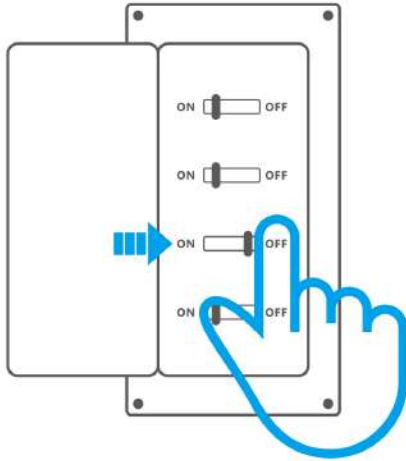
Specification

Product series	SwitchMan Series
Product type	Matter Over WiFi Smart Wall Switch
Model	White: M5-1C-80W, M5-2C-80W, M5-3C-80W Dim gray: M5-1C-80M, M5-2C-80M, M5-3C-80M

MCU	ESP32
Rating	1C: 100–240V~ 50/60Hz 10A Max Resistive load  μ 2C: 100–240V~ 50/60Hz 5A/gang Total 10A Max Resistive load  μ 3C: 100–240V~ 50/60Hz 2A/gang Total 6A Max Resistive load  μ
Max. load	1C: 2200W 2C: 2200W(1–1100W/Gang) 3C: 1320W(1–440W/Gang)
LED	1C: 300W/220V, 150W/110V 2C: 300W@220V/gang, 150W@110V/Gang, Total 600W@220V, 300W@110V 3C: 100W@220V/gang, 60W@110V/Gang, Total 300W@220V, 180W@110V
Wi-Fi	IEEE 802.11 b/g/n 2.4GHz
Net weight	1C: 131.5g, 2C: 139g, 3C: 141.3g
Product dimension	86x71x40.3mm
Casing material	PC+CRS
Diameter of wiring (recommended)	16AWG to 11AWG SOL/STR copper conductor only
Applicable place	Indoor
Working temperature	-10°C~40°C
Working humidity	5–95%RH, non-condensing
Certification	CE/RoHS

Installation

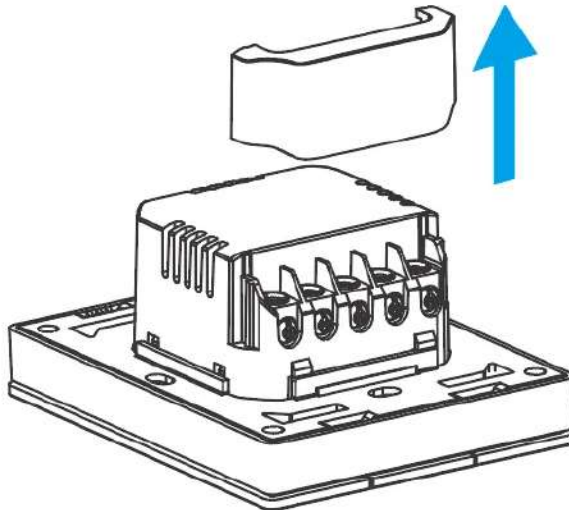
1. Power off



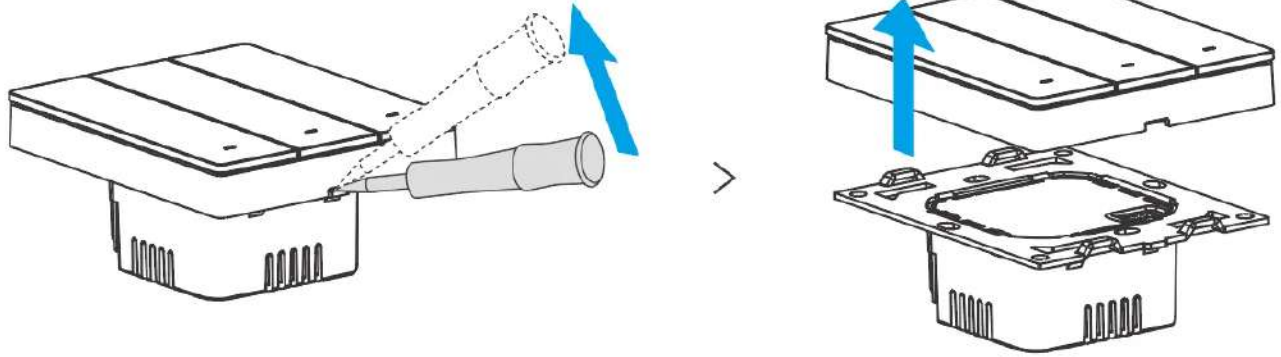
WARNING

Please install and maintain the device by a professional electrician. To avoid electric shock hazards, do not operate any connection or contact the terminal connector while the device is powered on!

2. Remove the protective cover



3. Panel removal

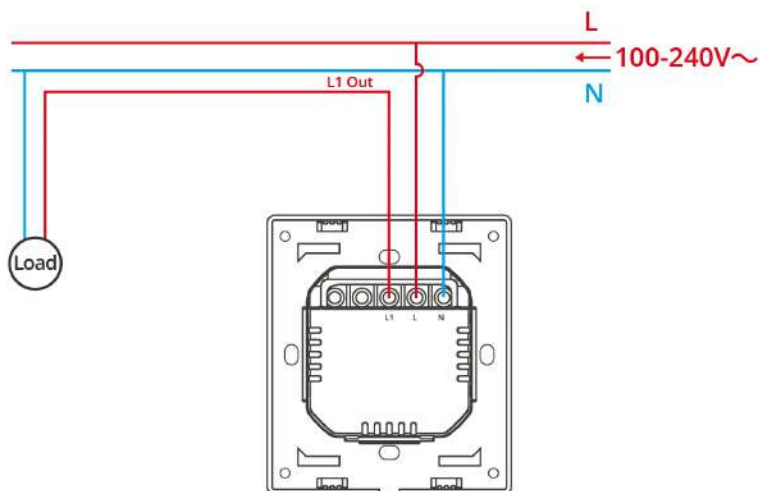


4. Wiring instructions

⚠ To ensure the safety of your electrical installation, it's essential either a Miniature Circuit Breaker (MCB) or a Residual Current operated Circuit-breaker with Integral Overcurrent protection (RCBO) with an electrical rating of 6A, 10A has been installed before the M5-1C-80M(10A), M5-1C-80W(10A), M5-2C-80M(10A), M5-2C-80W(10A), M5-3C-80W(6A), M5-3C-80M(6A).

⚠ Make sure all wires are connected correctly.

ITEAD - 黎业军(2602)

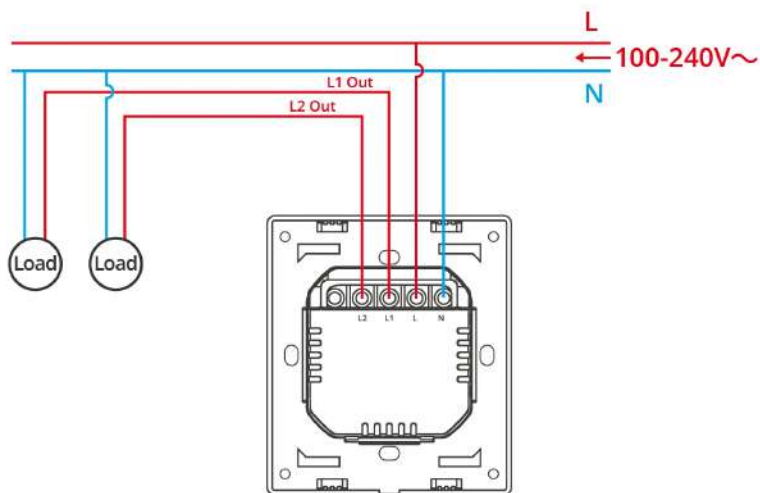


1C

ITEAD - 黎业军(2602)

2432)

ITEAD - 黎业军(2602)



2C

ITEAD - 黎业军(2602)

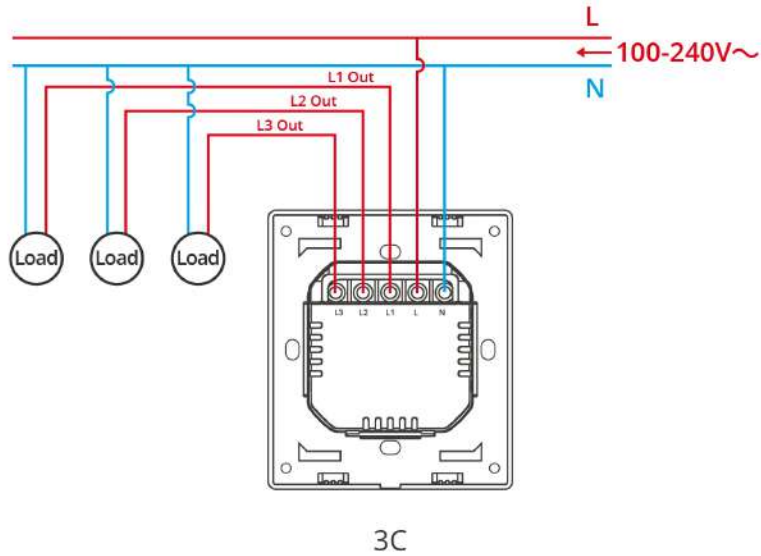
2432)

ITEAD - 黎业军(2602432)

ITEAD - 黎业军(2602432)

ITEAD - 黎业军(2602432)

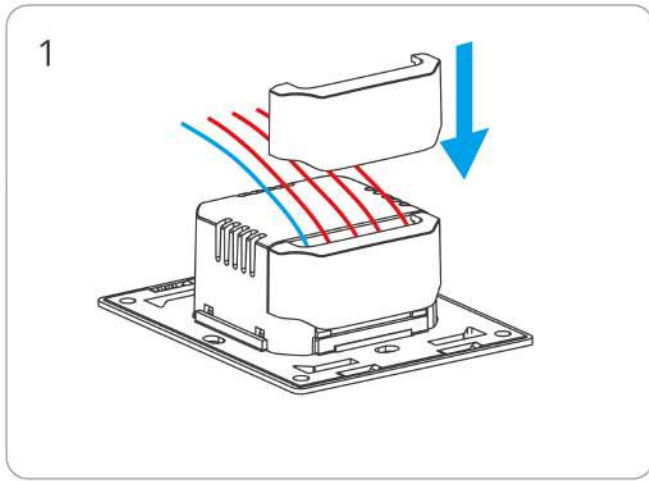
ITEAD - 黎业军(2602432)



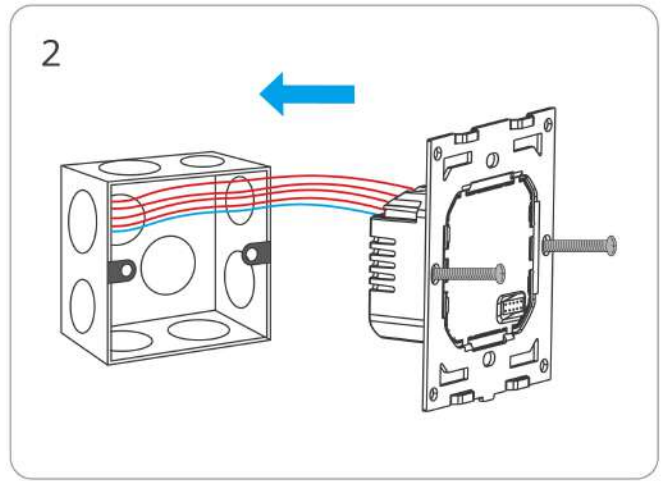
Instructions for wiring symbols

Terminals		Wires	
N	Neutral Line	N	Neutral Line
L	Live Line	L	Live Line (100–240V~)
L 1	Live Output Terminal__1 (100–240V~)		
L 2	Live Output Terminal__2 (100–240V~)		
L 3	Live Output Terminal__3 (100–240V~)		

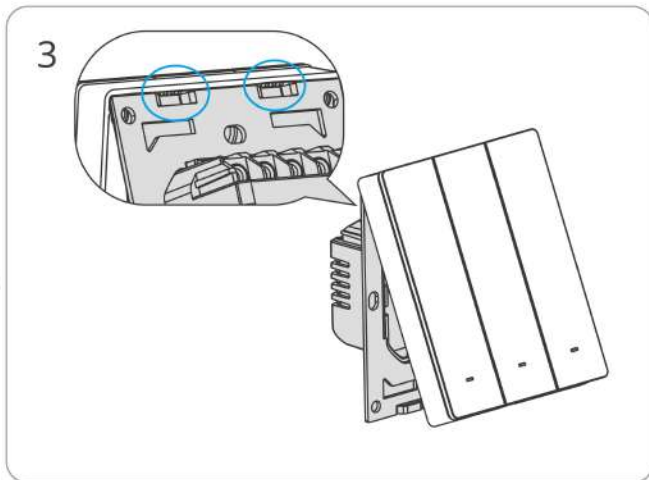
5. Install the device into the mounting box



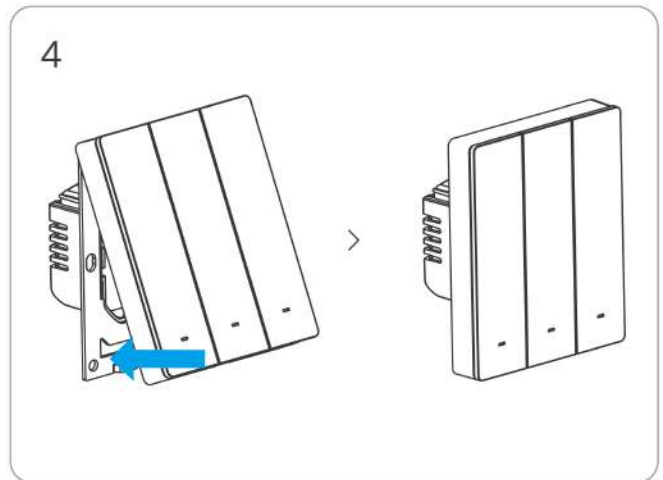
1 Install the protective cover.



2 Tighten the power module to the mounting box with screws.



3 Hook the switch module's latch into the upper groove of the metal frame.



4 Press downward to fix the switch module in place, it will automatically align with the pin positions.

ⓘ When the wall-mounting box is made of plastic and the size is small, the protective cover can be omitted.

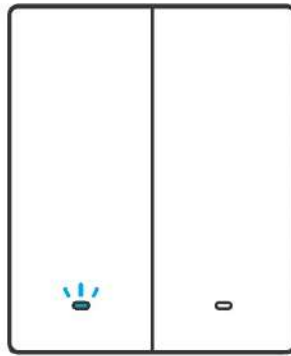
ⓘ This device can be used with the SONOFF switch frame.

6. Power on

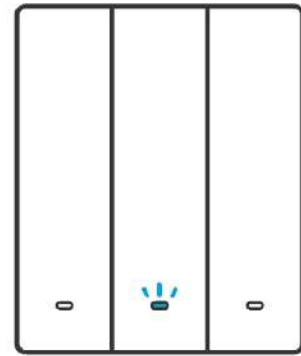
After powering on, the device will enter "pairing mode" during the first use. The LED indicator changes in a cycle of two short and one long flash and release.



1C



2C



3C

ⓘ The device will exit the Pairing Mode if not paired within 10mins. If you want to enter this mode, please long-press the button for about 5s until the LED indicator changes in a cycle of two short and one long flash and release.

Matter Ecosystem User Guide

Open a Matter-compatible App to scan the Matter QR code on the Quick Guide or the device itself to add the device.



Add to Apple via
Matter



Add to Google via
Matter



Add to Alexa via
Matter



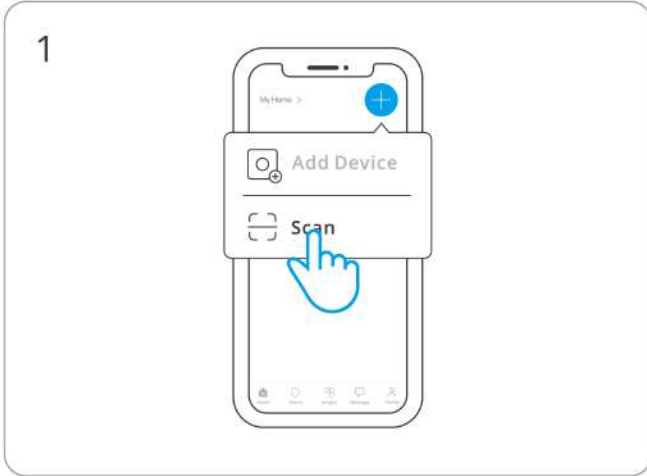
Add to SmartThings
via Matter

eWeLink Ecosystem User Guide

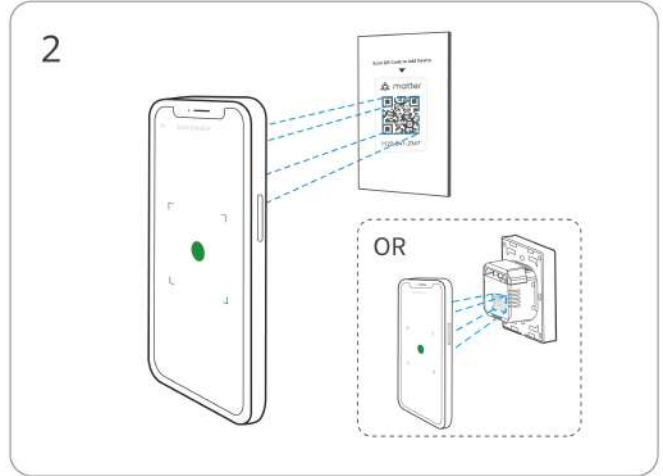
1. Download the eWeLink App

Please download the "eWeLink" App from [Google Play Store](#) or [Apple App Store](#).

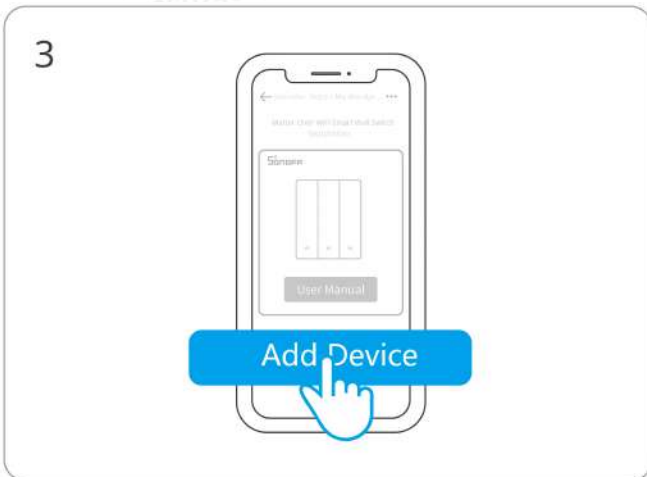
2. Scan QR code to add the device



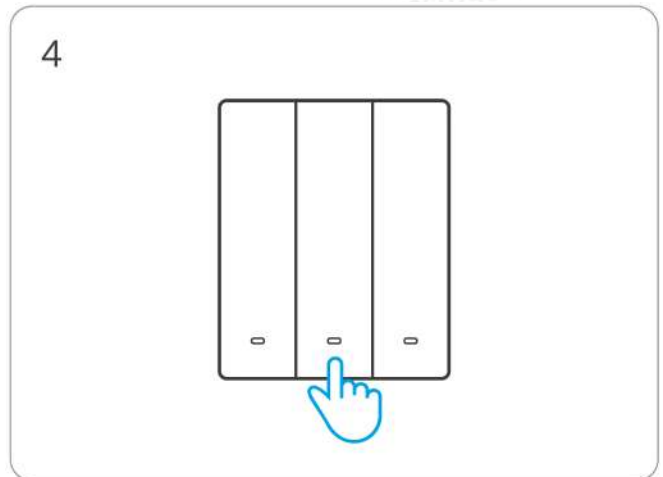
Enter "Scan"



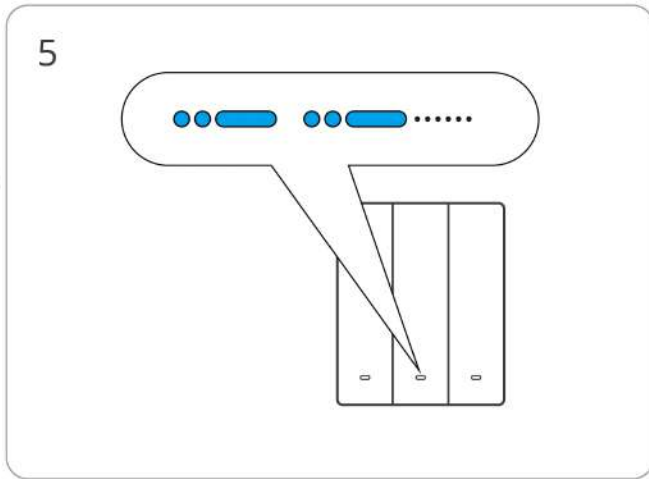
Scan the QR code on the quick guide or the device



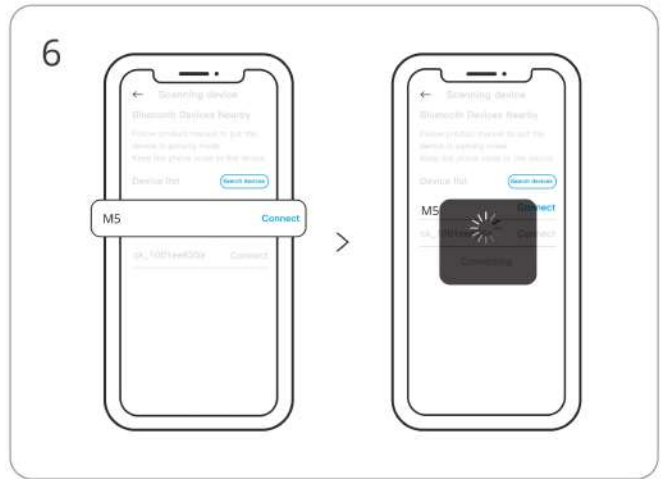
Select "Add Device"



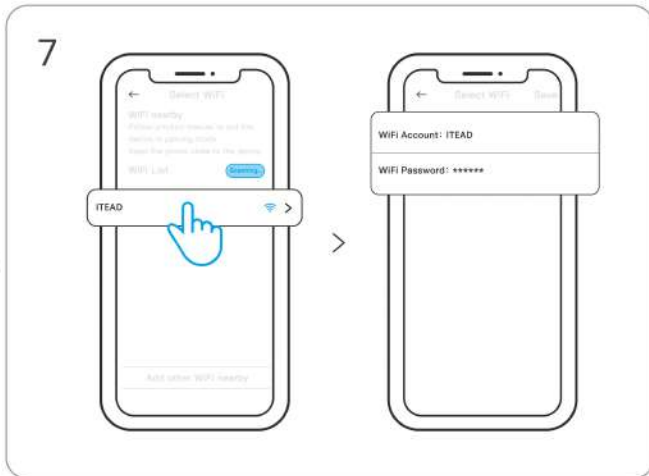
(If the device exits pairing mode)
Long press the button for 5 seconds



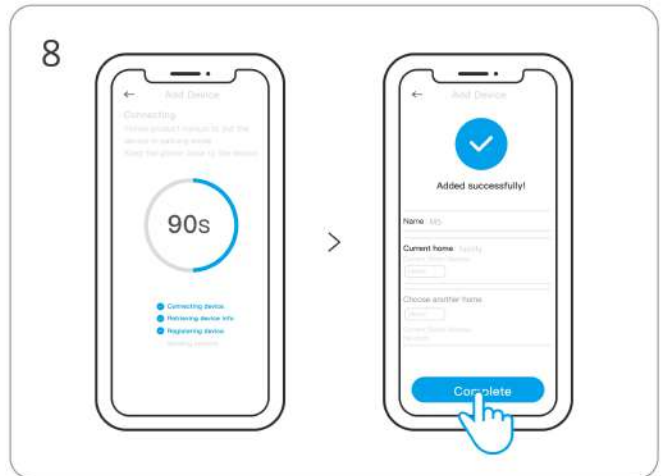
5 Check LED indicator flashing status
(Two short and one long)



6 Search for the device and start connecting



7 Select the "Wi-Fi" network and enter the password



8 Device "Added completely"

Factory Reset

- After "Delete the Device" in the eWeLink App
- For devices previously successfully added to eWeLink, perform a new pairing using a different eWeLink account
- For devices previously successfully added in Matter, perform a new Bluetooth Pairing through Matter

EU Declaration of Conformity

Hereby, Shenzhen Sonoff Technologies Co., Ltd. declares that the radio equipment type M5-1C-80W, M5-2C-80W, M5-3C-80W, M5-1C-80M, M5-2C-80M, M5-3C-80M is in compliance with Directive 2014/53/EU. The full text of the EU declaration of conformity is available at the following internet address: <https://sonoff.tech/compliance/>

For CE Frequency

EU Operating Frequency Range

Wi-Fi: 802.11 b/g/n20 2412–2472 MHz, 802.11 n40: 2422–2462 MHz

BLE: 2402–2480 MHz

EU Output Power

Wi-Fi 2.4G \leq 20dBm

BLE \leq 20dBm

Under normal use of condition, this equipment should be kept at a separation distance of at least 20 cm between the antenna and the body of the user.

WEEE Disposal and Recycling Information



WEEE Disposal and Recycling Information All products bearing this symbol are waste electrical and electronic equipment (WEEE as in directive 2012/19/EU) which should not be mixed with unsorted household waste. Instead, you should protect human health and the environment by handing over your waste equipment to a designated collection point for the recycling of waste electrical and electronic equipment, appointed by the government or local authorities. Correct disposal and recycling will help prevent potential negative consequences to the environment and human health. Please contact the installer or local authorities for more information about the location as well as terms and conditions of such collection points.

Scatola	Scatola	Manuale	Borsa	Borsa
PAP 20	PAP 21	PAP 22	CPE 7	LDPE 4

Carta	Carta	Carta	Plastica	Plastica
RACCOLTA DIFFERENZIATA				
Verifica le disposizioni del tuo Comune.				
Separa le componenti e conferiscile in modo corretto.				

SONOFF

Manufacturer: Shenzhen Sonoff Technologies Co., Ltd.

Address: 3F & 6F, Bldg A, No. 663, Bulong Rd, Shenzhen, Guangdong, China

ZIP code: 518000

Service email: support@itead.cc

Website: sonoff.tech

Made in China



FR

Cet appareil et ses accessoires se recyclent

À DÉPOSER EN MAGASIN



OU

À DÉPOSER EN DÉCHÈTERIE



Points de collecte sur www.quefairedemesdechets.fr
Privilégiez la réparation ou le don de votre appareil !

